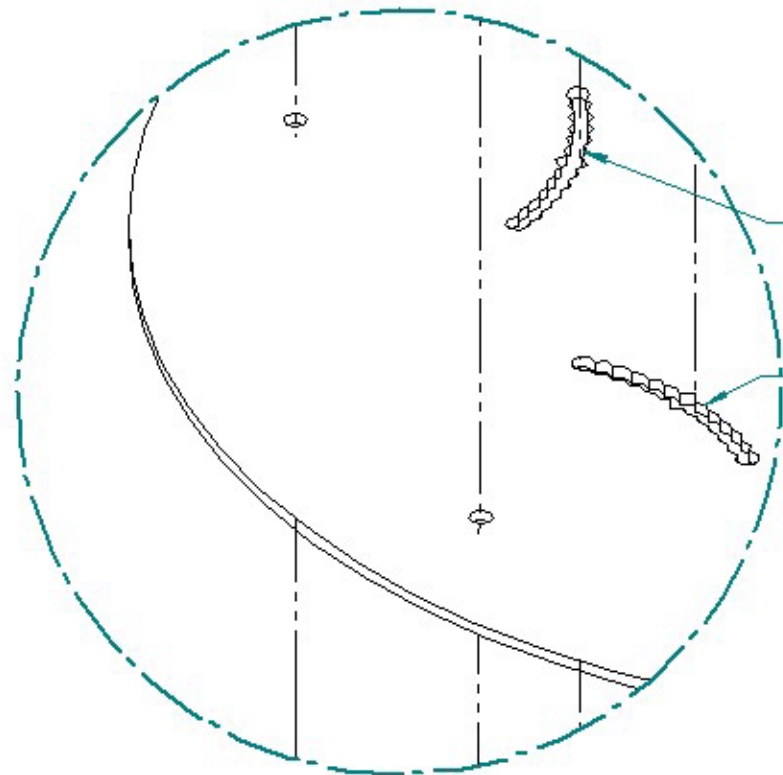


REVISIONS

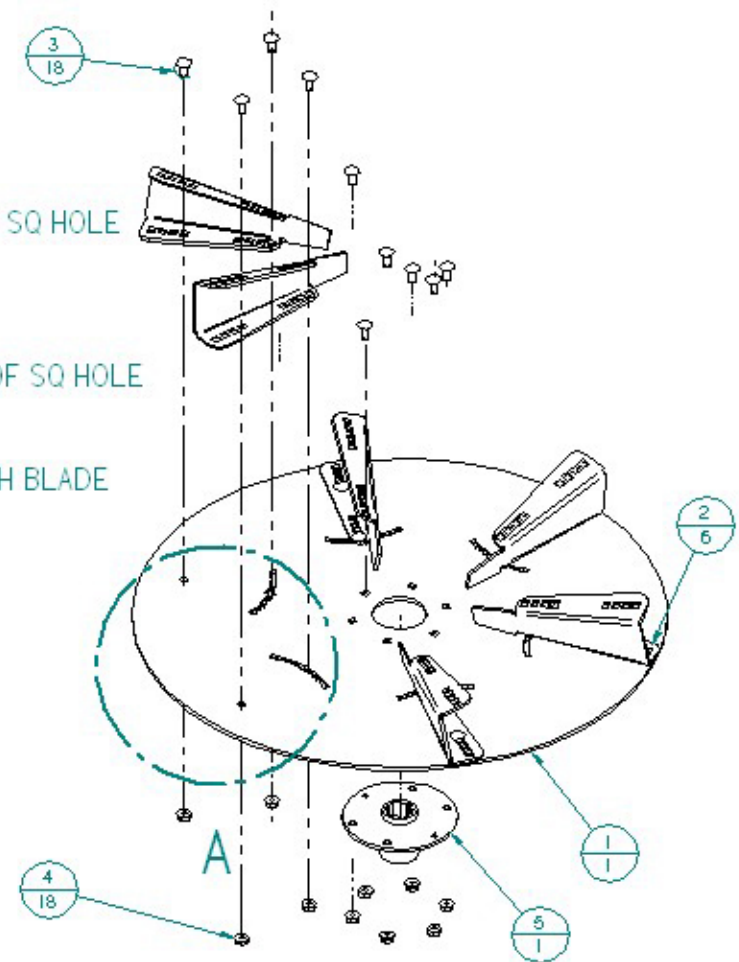



DETAIL A

ONE HOLE LEFT OF SQ HOLE

ONE HOLE RIGHT OF SQ HOLE

ALTERNATING EACH BLADE



DWG. NAME:

ASSY - DISK RIGHT BLACK
